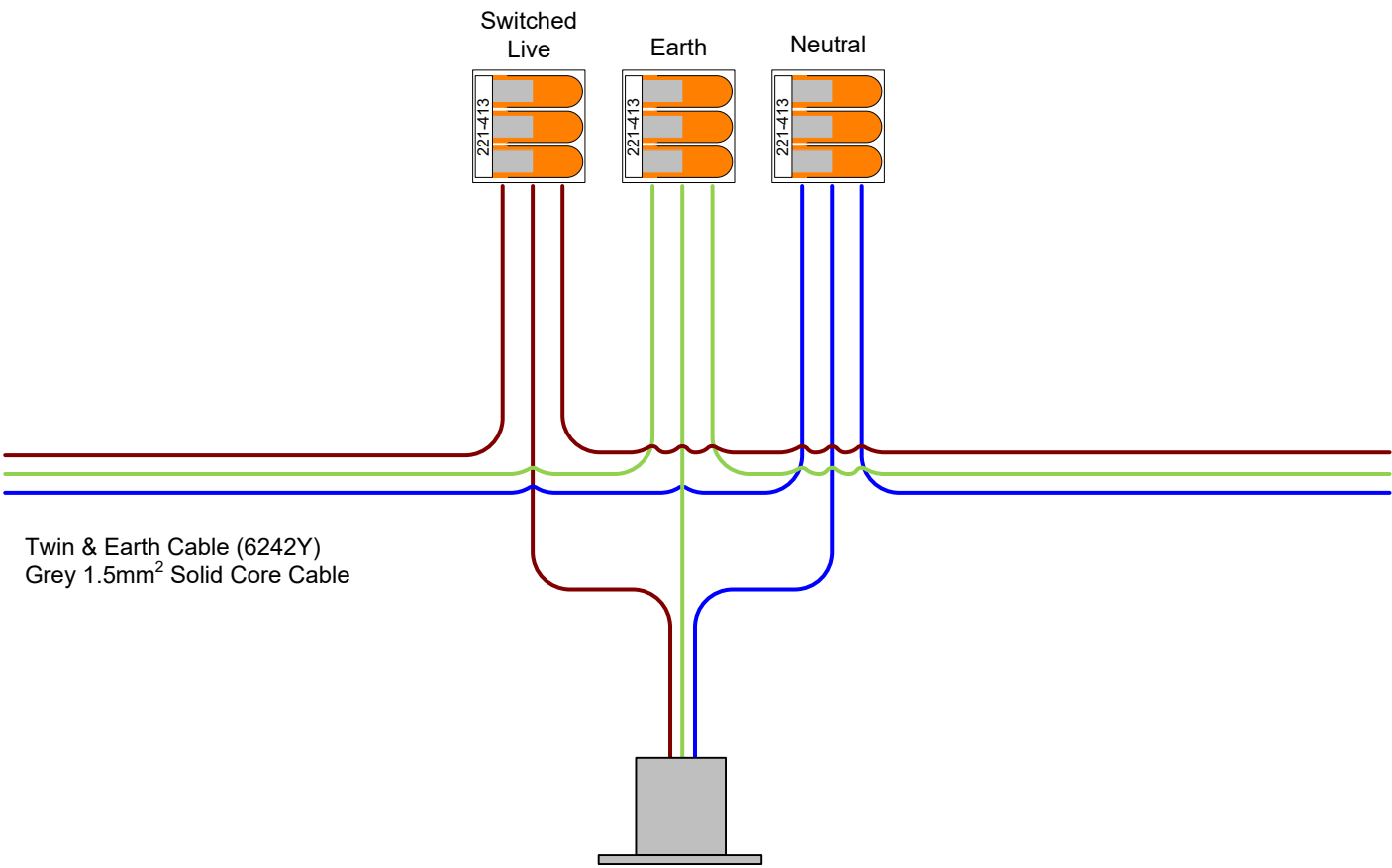
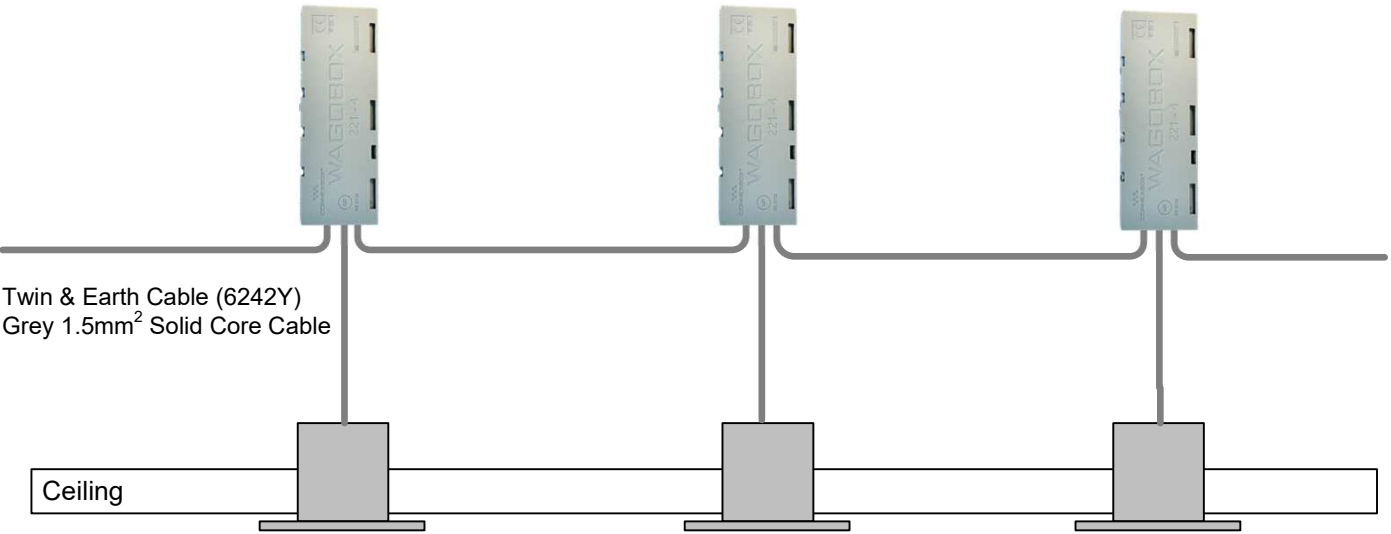
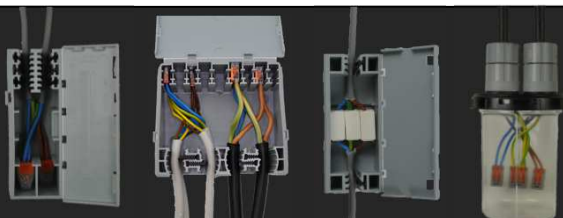


Radial Lighting Circuit (1.5mm²) : Downlight Connection

This application note provides guidance regarding the selection and use of Wagobox enclosures and Wago connectors. All electrical installation work should only be undertaken by a competent person.



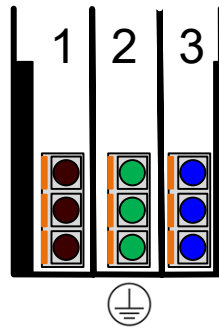
NOTE: This application note illustrates just one possible solution and is not intended to be definitive. There will be many other possible solutions depending on the types of cable being used.



Wiring Diagram

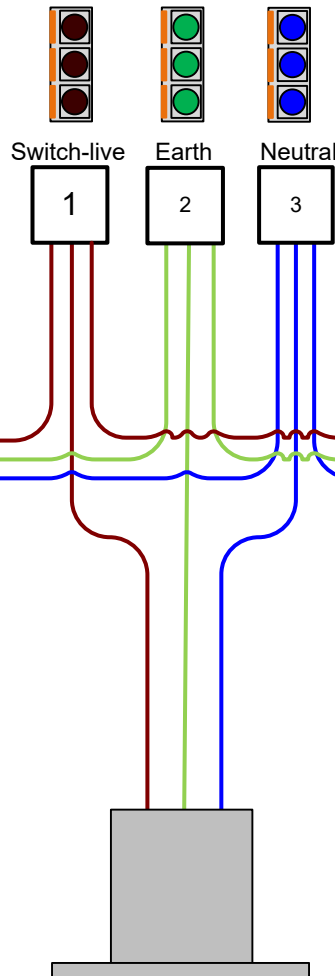
Connector
Arrangement

3x 221-413



- Solid Core Cable
- - - Stiff Stranded Cable
- Flex Core Cable

Connector
Location



CONNEXBOX®

Simpler, Quicker, Safer