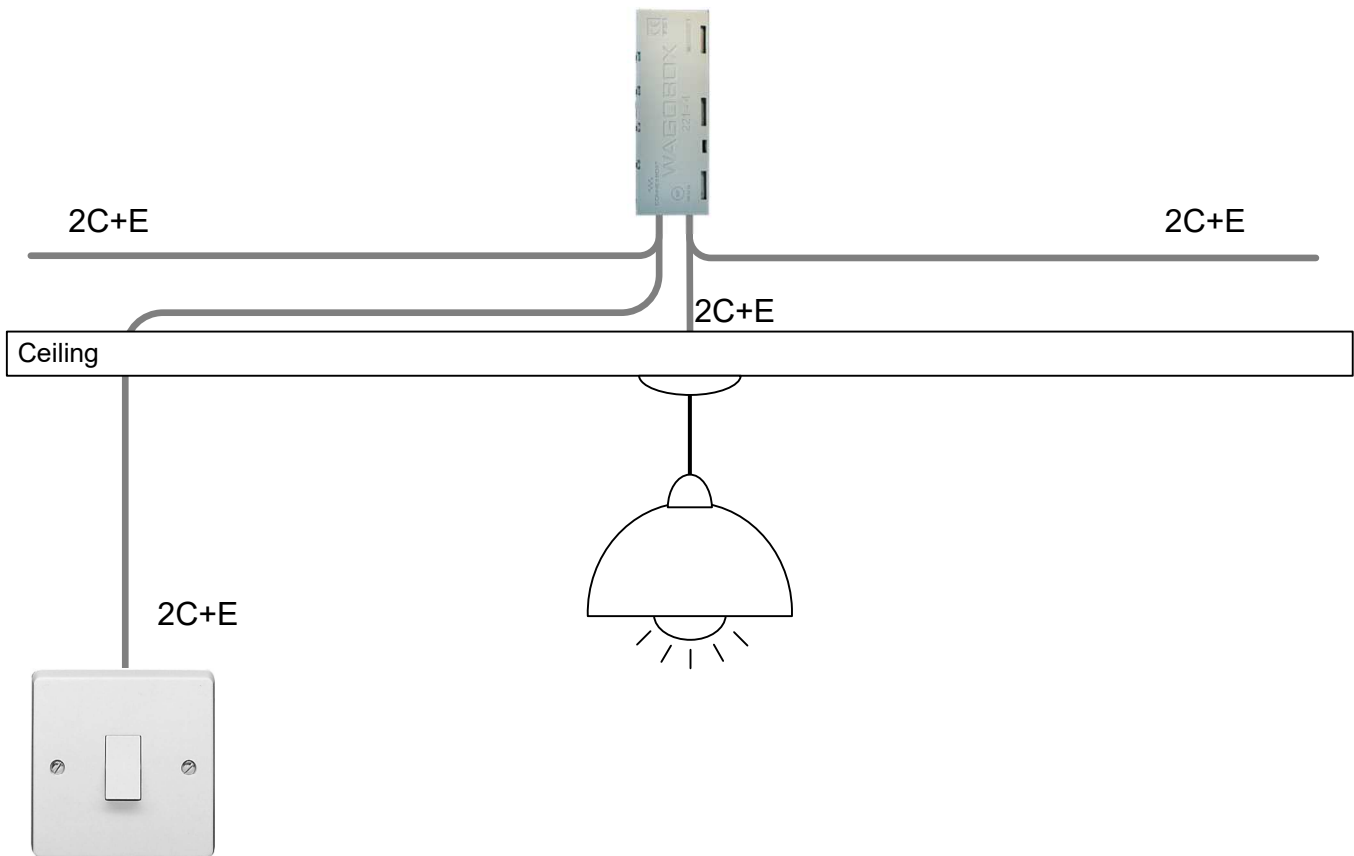
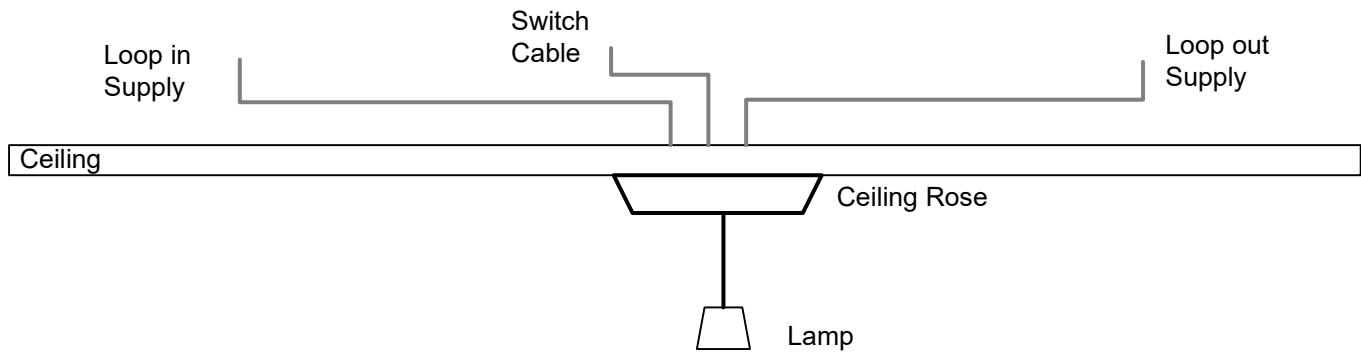


# Lighting Circuit (1 or 1.5mm<sup>2</sup>) : Replacing a Ceiling Rose

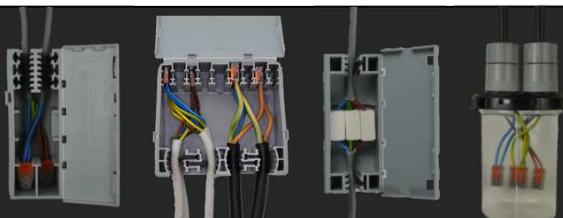
This application note provides guidance regarding the selection and use of Wagobox 221-4 enclosures and Wago 221-4 Series connectors. All electrical installation work should only be undertaken by a competent person.

## Typical Ceiling Rose Cable arrangement






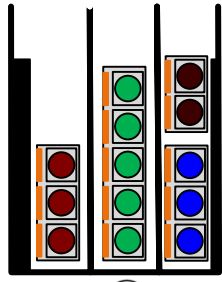
2C+E Twin & Earth Cable (6242Y) Grey  
1.0 or 1.5mm<sup>2</sup> Solid Core Cable

NOTE: This application note illustrates just one possible solution and is not intended to be definitive. There will be many other possible solutions depending on the types of cable being used.

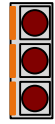
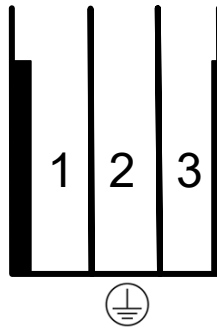


# Wiring Diagram

-  Solid Core Cable
-  Stiff Stranded Cable
-  Flex Core Cable



Connector Arrangement



221-413



221-415

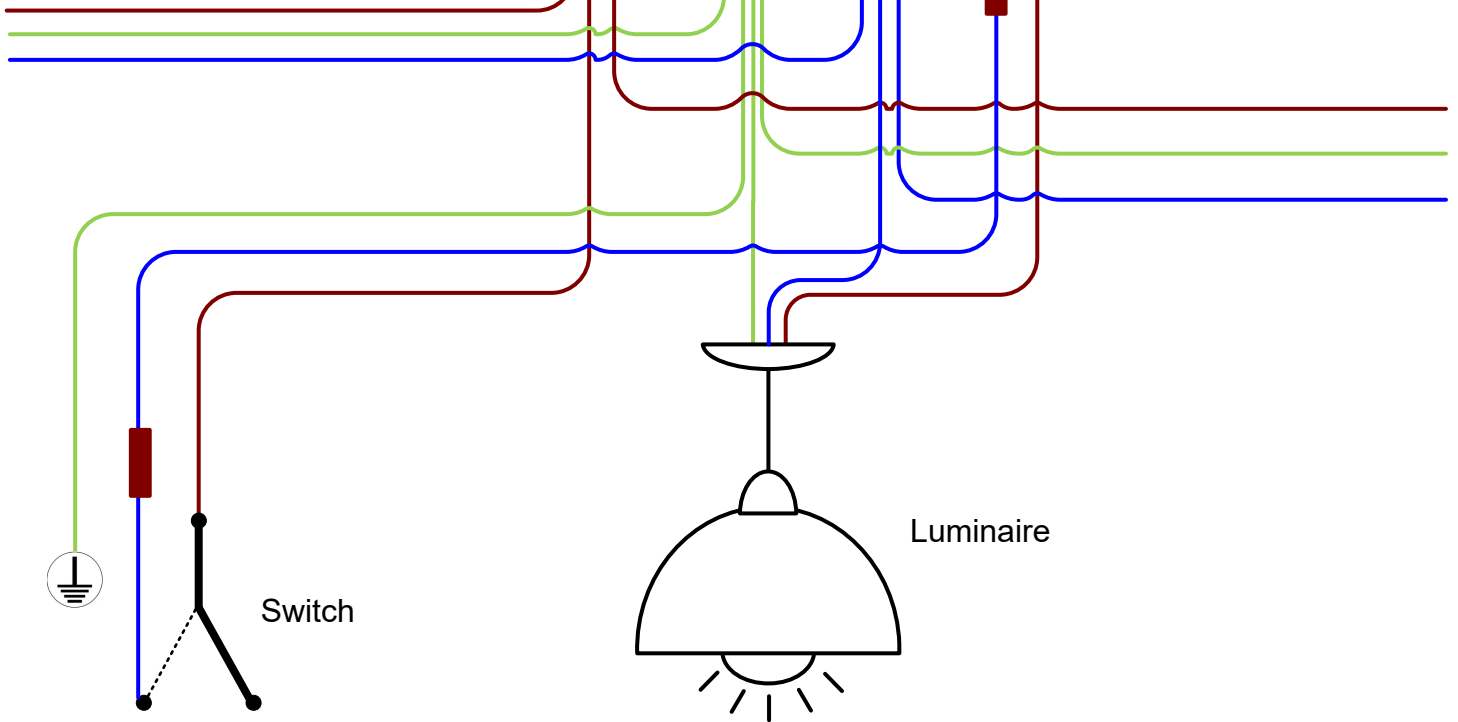
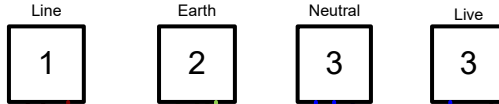


221-413



221-412

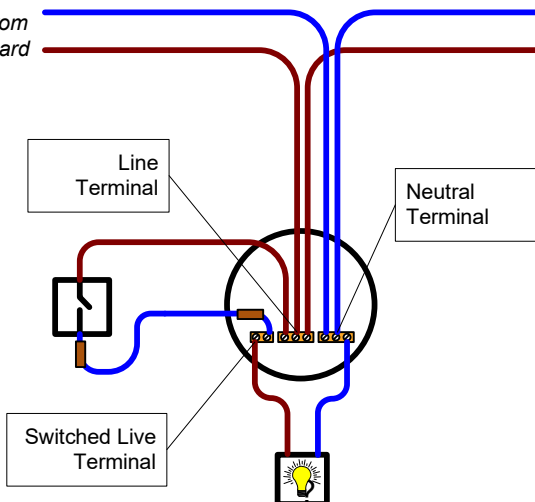
Connector Location



Luminaire

Switch

Power In From the Fuse board Power Out to the next light fitting



**Notes:**

- Earth wiring is not shown for clarity. All earth wires are usually wired into a single screw terminal.
- The position of wires on a particular terminal can vary. Care must be taken to correctly identify the switch cable it won't always be near the the switch live terminal.



Simpler, Quicker, Safer