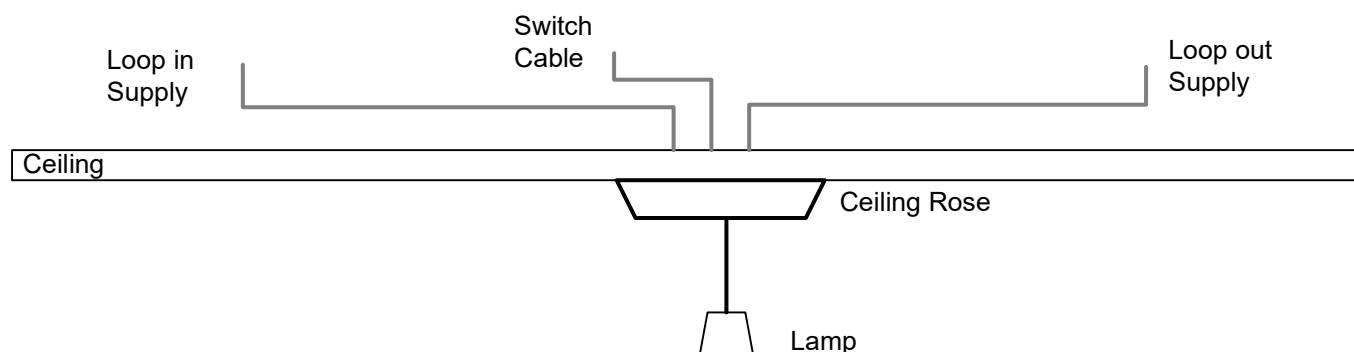


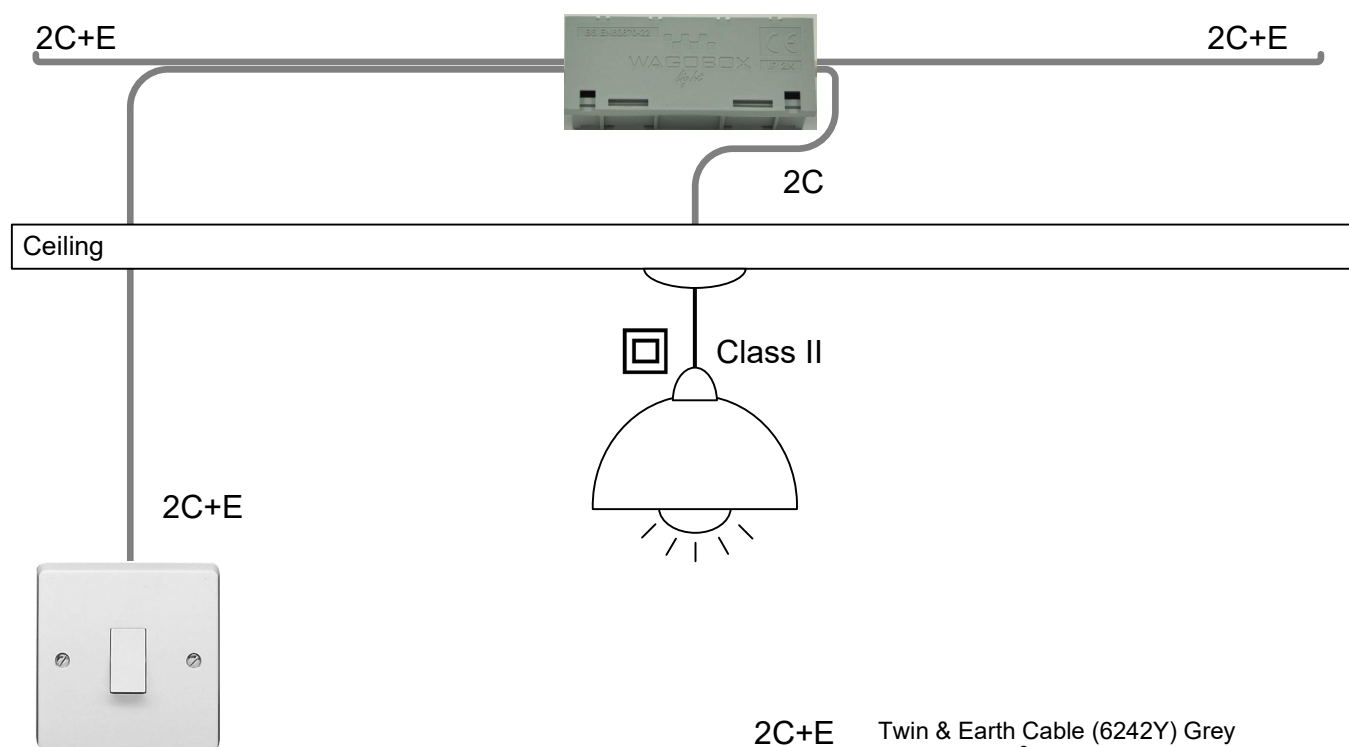
# Lighting Circuit (1 or 1.5mm<sup>2</sup>) : Replacing a Ceiling Rose using a Wagobox-Light and 224 series Wago connectors

This application note provides guidance regarding the selection and use of Wagobox enclosures and Wago connectors. All electrical installation work should only be undertaken by a competent person.

## Typical Ceiling Rose Cable arrangement



**NOTE:** This configuration is only applicable where the connected luminaire can be connected using a solid core cable and is a Class II accessory that does not require an earth connection



**2C+E** Twin & Earth Cable (6242Y) Grey  
1.0 or 1.5mm<sup>2</sup> Solid Core Cable

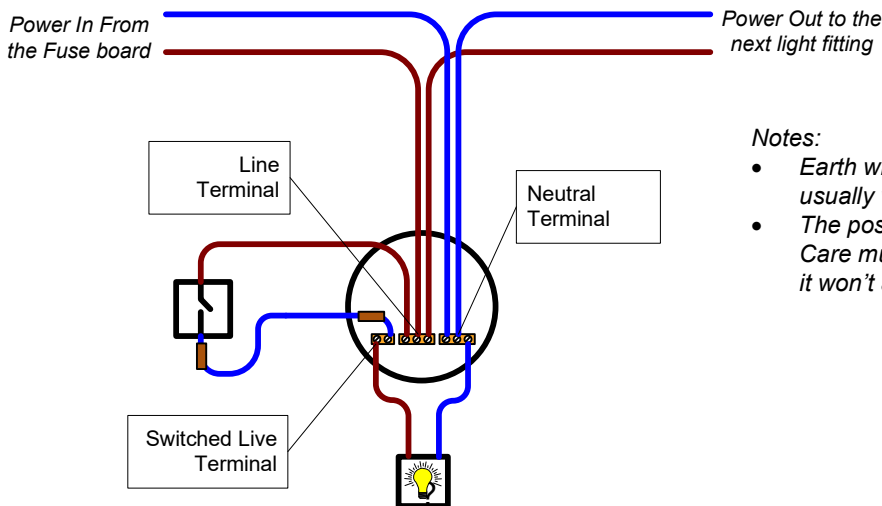
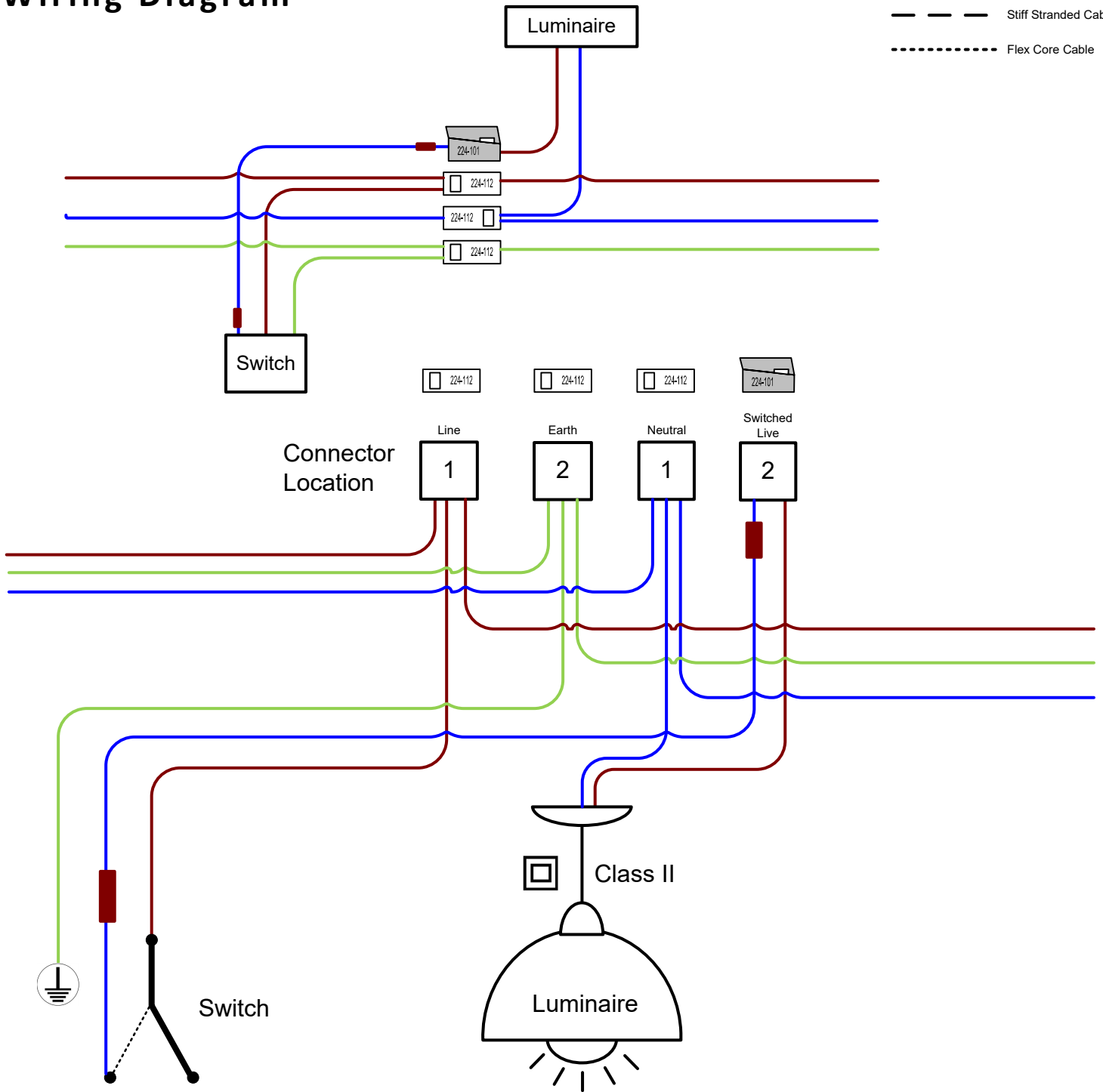
**2C** Twin & Earth Cable (6242Y) Grey  
1.0 or 1.5mm<sup>2</sup> Solid Core Cable.  
*Earth wire not connected*

NOTE: This application note illustrates just one possible solution and is not intended to be definitive. There will be many other possible solutions depending on the types of cable being used.



# Wiring Diagram

- Solid Core Cable
- - - Stiff Stranded Cable
- ..... Flex Core Cable



- Notes:**
- Earth wiring is not shown for clarity. All earth wires are usually wired into a single screw terminal.
  - The position of wires on a particular terminal can vary. Care must be taken to correctly identify the switch cable it won't always be near the the switch live terminal.